

TRUSTED
SINCE 1958
WORLDWIDE

Precise.

Quality.

Reliable.



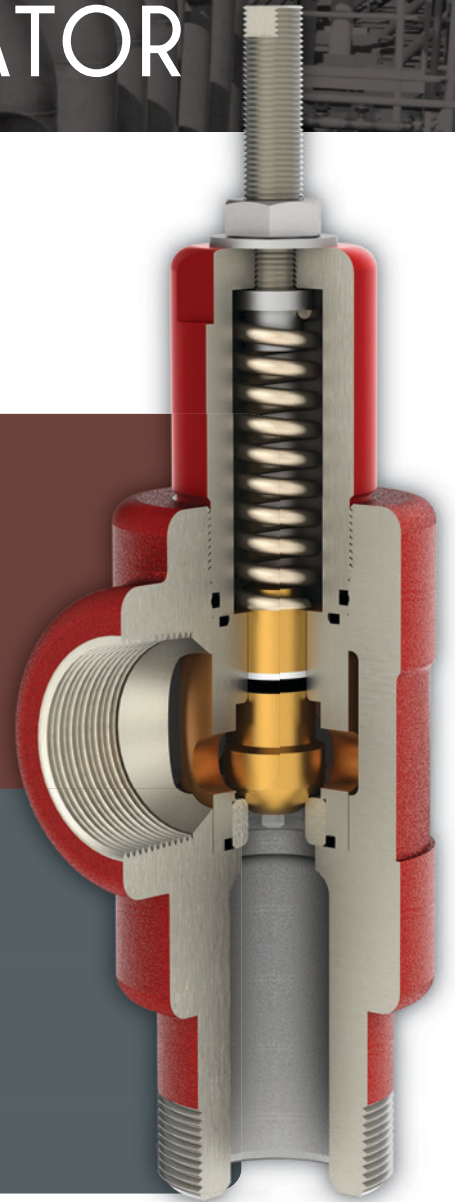
7700 SERIES BACK PRESSURE REGULATOR

FEATURES & Benefits

The 7700 Back Pressure Regulator (BPR) Series is an excellent and economical device for relief and control of pressure in liquid and gas service. Valve control is accomplished by upstream pressure acting on a lapped piston, which is acted on by a spring. The valve will open at a determined set pressure, which is field adjustable.

Applications: Typical applications include: Paraffin, Heading Up, and By-Pass to Casing.

- Straight threads on the spring housing allow for easy access to the internals for repair or maintenance.
- The balanced valve design means the valve is unaffected by downstream pressure and regulates only according to the upstream pressure. This allows the valve to be placed in a wide variety of conditions.
- Resilient stainless internals are standard, increasing the service life and performance of the valve.



7700 Series Back Pressure Regulator

Model	Size:	A Dimension: In.	B Dimension: In.	C Dimension: Height In.	Weight: Lb.
7711	1 Inch	3.90±0.10	1.60±0.10	11.28±0.25	6
7722	2 Inch	5.00±0.10	2.50±0.10	12.28±0.25	15
7722 (Inline)	2 Inch	—	7.00±0.10	9.00±0.25	17

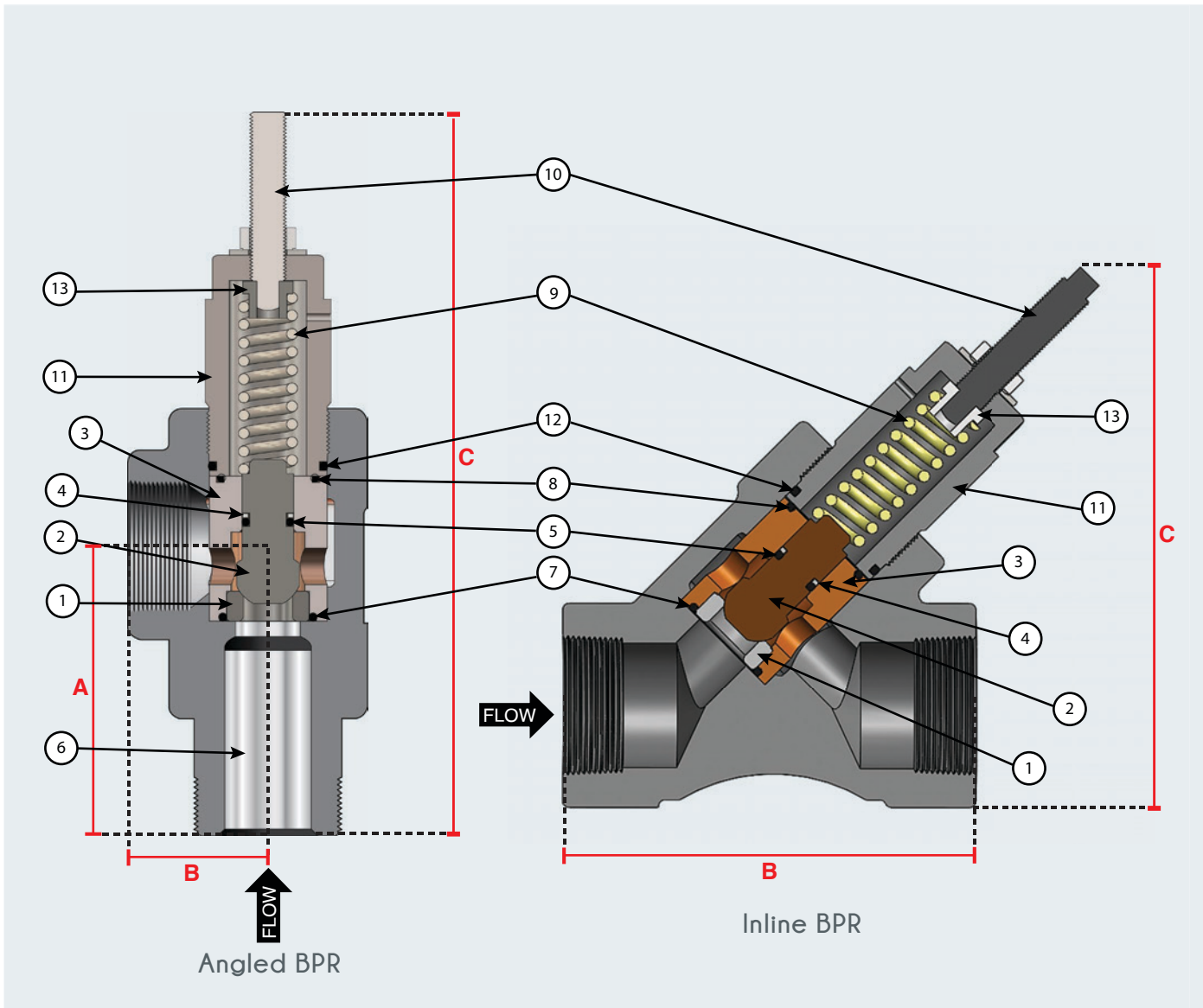
Materials For Construction

Seats	Spring Housing	Springs	Seals*	Body
440-C	CS or SS	17-7 SS/302 SS(NACE)	VITON/PC BUNA	LCC/CS/SS/A350 LF2

*See back page for full nomenclature specs.

7700 Series Back Pressure Regulator (Standard BOM)

Item No.	Description	Material
1	Seat	440C
2	Piston	17-4 SS Cond. A / H900
3	Cage	17-4 SS Cond. H900
4	Back-up Ring	Teflon
5	Piston O-Ring	Viton / Buna
6	Body	SA 352 LCC / SS 316
7	Seat Seal	Viton / Buna
8	Cage Seal	Viton / Buna
9	Spring	17-7 SS / 302 SS
10	Adj. Screw Assembly	CS 1018 / SS 316
11	Spring House	SA350 LF2 / SS 316
12	Spring House Seal	Viton / Buna
13	Spring Keeper	CS 1018 / 302 SS



The information contained in this drawing is the sole property of Taylor Valve Technology Inc. and any reproduction in part or whole without the written permission of Taylor Valve Technology Inc. is prohibited.

NOTE: Taylor Valve reserves the right to change product designs and specifications without notice.



Taylor Valve Technology
 8300 S.W. 8th Street
 Oklahoma City, Oklahoma 73128

TEL 405.787.0145

FAX 800.805.3401

WEB www.taylorvalve.com

EMAIL info@taylorvalve.com



Precise.

Quality.

Reliable.

Part Number Matrix

77

X X - -

B

C

D

E

F

X & A - SERIES

- 1 1" (0.68" - orifice diameter)
- 2 2" (0.816" - orifice diameter)

B - TYPE

- 1 Balanced TEE BODY (1" & 2")
- 3 Balanced INLINE BODY (2")

C - TRIM

- 0 17-4 H900 w/ BUNA (NBR/Low Temp)
- 1 17-4 H900 w/ VITON
- 2 17-4 H900 w/ PC BUNA
- 3 17-4 H900 w/ EPDM
- 4 17-4 H1150 w/ BUNA (NBR/Low Temp)(NACE Compliant)
- 5 17-4 H1150 w/ VITON (NACE Compliant)
- 6 17-4 H1150 w/ PC BUNA (NACE Compliant)
- 7 17-4 H1150 w/ EPDM (NACE Compliant)
- 8 17-4 H900 w/ HSN
- 9 17-4 H1150 w/ HSN (NACE Compliant)

D - SPRING RANGE

1	30-100	(1" 05-011314)	(2" 05-011314)
2	30-200	(1" 05-011314)	(2" 05-011414)
4	30-500	(1" 05-011414)	(2" 05-011514)
5	30-1000	(1" 05-011514)	(2" 05-010114)
6	30-1500	(1" 05-010114)	(2" 05-010213)

E - BODY MATERIAL

- 3 LCC- NEW STYLE (cast for 2" MNPT x FNPT)/CS (G1018 for 1" MNPT x FNPT)
- 4 CS / NACE
- 5 CF8M SS
- 6 SS / NACE

F - INLET & OUTLET

- 1 ½" x 1"
- 2 1" x 1¼"
- 3 2" SCH 80 BW
- 4 1" SKT
- 5 1"
- 6 ¾" x 1"
- 7 2"
- 8 2" SCH 160 BW

NOTE: Please specify below while placing order

1. Std Temperature Std Service
2. Std Temperature Sour Service NACE
3. Low Temperature Std Service
4. Low Temperature Sour Service NACE

*For flanged connections on BPRs,
 contact Taylor Valve.